

PRODUCT CATALOGUE



CATV TELECOM CATALOG

www.defangtech.com

COMPANY INTRODUCTION

Defang Technology is a leading manufacturer and distributor of cable products, OEM power supplies, Fiber Optic Cables and Terminals.

We are specialized in designing, manufacturing and marketing various Cables (HDMI cable, CAT 5/6 cable, Audio & Video cables, computer cables, Fiber Optic cables), premise equipment power supplies/cables, FTTx Series and telecommunication products.

Majority Of Our products are sold in north America, south America and EMEA. Defang has earned high reputation from our customers for its excellent product quality, outstanding customer service (e.g., product customization, kitting and worry-free shipping and custom clearance) and lowest total cost Of ownership.

Defang's main office is in Shanghai, China and we have several manufacturing facilities in China and Mexico, all of which are compliant to ISO9001 :2000 standards.

Defang is a member Of HDMI Association and has HDMI ATC I .4 certification. All of our products are 100% RoHS compliant.

Defang takes pride in our quality control system and customer service-oriented culture. Our goal is to provide our customers high quality products with IOW cost Of ownership and with superior customer service. We want to be a responsible, flexible and value adding partner of your business.



DF Catalog Index 2022

DF CATV Telcom Range

I. HDMI Cables	04
II. USB Cables	15
III. RCA Cables	18
IV. Telephone Cables	20
V. Network Cables	22
a. Category 7 S/FTP	
b. Category 6A F/UTP	
c. Category 6 U/UTP (CM-CMX-CMR)	
d. Category 6 U/UTP (CMP)	
e. Category 6 U/UTP (OUTDOOR)	
f. Category5E U/UTP (CM-CMX-CMR)	
g. Category5E U/UTP (CMP)	
h. Category5E U/UTP (OUTDOOR)	
VI. Network Patch Cord	47
a. U/UTP CAT5E Patch cord	
b. U/UTP CAT6 Patch cord	
c. U/UTP CAT5E CCA Patch cord	
d. S/FTP CAT6A Patch cord	
VII. COAX Cables	56
a. Series 75Ω Braiding Coaxial Cables	
b. LMR Series 50Ω Braiding Coaxial Cables	
c. Al-tube Coaxial Distribution cables (50Ω)	
VIII. Power Supply	63
a. Wall type	
b. Desk type	

HDMI INTRODUCTION

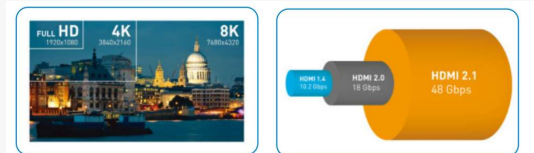
Feature highlight

HDMI has become the norm for HD digital devices. It combines audio and video into one convenient cable. Our HDMI cables completely meet HDMI Latest specification and have been verified by ATC.


Use our HDMI cable to connect a small mobile, home-entertainment or gaming devices to a big screen HDTV, large projector or computer monitor, enjoy reliable performance.



HDMI feature comparison:



HDMI version	v1.4	v2.0	v2.1
Bandwidth (maximum)	10.2Gbps	18Gbps	48Gbps
Resolution (maximum)	4K 4096*2160 @30Hz	4K 4096*2160 @60Hz	8K@60Hz 4K@120Hz



Key features

8K delivers a super immersive viewing experience.

60Hz enables smooth and sharp viewing of content with high-speed action.

Dynamic HDR enables a noticeable progression in overall video image quality from SDR to static HDR, and now static HDR to dynamic HDR.

48G cable ensures high-bandwidth dependent features are delivered including enhanced video and audio performance, and accounting for new EMI characteristic.

eARC (Enhanced Audio Return Channel) supports the most advanced audio formats and enables advanced audio signal control capability-ties.

Game Mode VRR (variable refresh rate) produces a more fluid and better detailed gameplay experience.

01

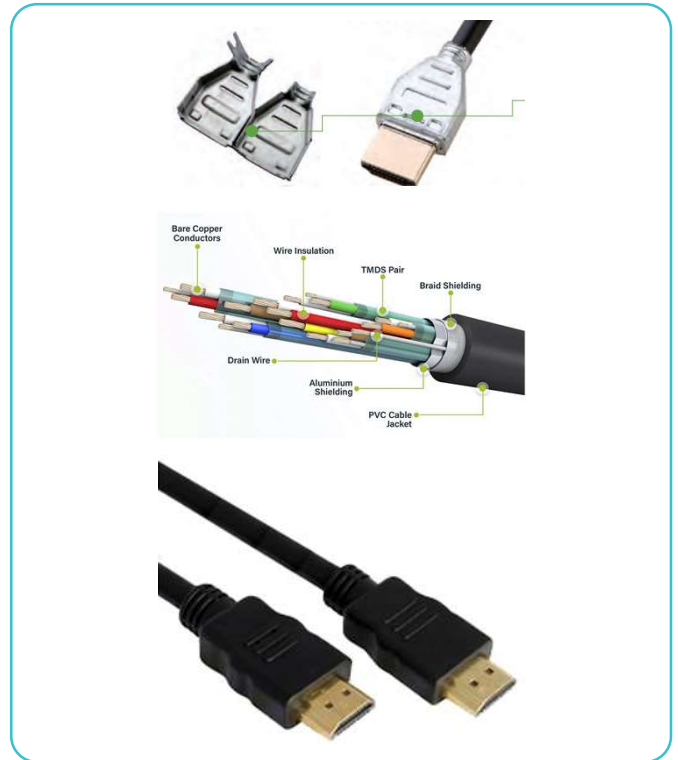
HDMI A-A High speed
with Ethernet

I. HDMI A-A High speed with Ethernet

Feature

- Support Receive Over-The-Air Digital Broadcast to your
- Digital TV, Projector, and Computer Monitor.
- Use two Tin plated sheets bonding process.
- EMI range up to -2db with better shielding effect.
- Optional gold and nickel plating.
- Pass 4K and HDMI ATC test.
- Meet the HDMI2.0:High speed HDMI cable.

Product image



Specification

Part number	DFHC2013306B
Conductor	30AWG Bare Copper high purity 99.99% OFHC, oxygen-free copper
Insulation	PE
Braid	Aluminum magnesium alloy wire
Jacket	PVC
Cable Diameter	6.0MM
Connector	Shell Gold plated; Pin Gold plated
Length	6FT
UL Certification	UL 20276/UL758
Packing	1PC/Bag

02



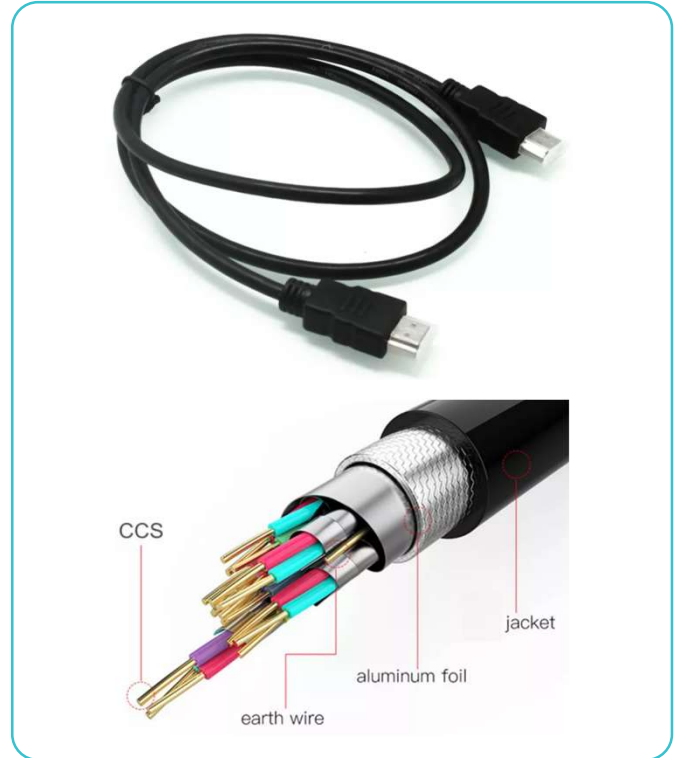
Regular version HDMI cable

II. Regular version HDMI cable

Feature

- Resolution up to 4k x 2k @60Hz
- 30AWG copper clad steel conductor
- Optional gold and nickel plating
- Compatible Devices TV , Monitor , Laptop , PC , PlayStation , DVD Player , Xbox , Projector
- length: 1.5M. 1.8m,2m
- Jacket: BLACK PVC
- Outer Diameter:5.5 mm-6.0mm
- HDMI Forum certified

Product image



Specification

Part number	DFHC2021306BCS-01
Conductor	30AWG copper clad steel
Insulation	PE
Braid	Aluminum magnesium alloy wire
Jacket	PVC
Cable Diameter	6.0MM
Connector	Shell Gold plated; Pin Gold plated
Length	6FT
Packing	1PC/Bag

03

Premium High-Speed cable with Ethernet Type-A to Type-A

III. Premium High-Speed cable with Ethernet Type-A to Type-A

Feature

- Pass HDMI ATC Certificate of Premium cable test.
- Support the full 18Gbps bandwidth
- Pass the HDMI 2.0b specification EMI test to ensure
- cables minimize interference with wireless signals.
- Suitable for 30AWG wire gauge and 28 wire gauge.
- Compliant to HDMI High Speed with Ethernet
- Using a unique anti-counterfeiting authentication label.

Product image



Specification

Part number	DFHC2013306B-P
Conductor	30AWG Bare Copper high purity 99.99% OFHC , oxygen-free copper
Insulation	PE
Braid	Aluminum magnesium alloy wire
Jacket	PVC
Cable Diameter	6.0MM
Connector	Shell Gold plated; Pin Gold plated
Length	6FT
UL Certification	UL 20276/UL758/HDMI Premium Certified
Packing	1PC/Bag

04



Slim HDMI Cable A
Type MALE TO A Type
MALE

IV. Slim HDMI Cable A Type MALE TO A Type MALE

Feature

- Suitable for 36AWG and 34AWG wire gauge.
- Transmission Speed up to 18Gbps.
- Supports all HDMI devices, including 1.4V Pass 4K and HDMI ATC test.
- Meet the HDMI2.0:highspeed HDMI cable.
- ABS material shell assembly.

Product image



Specification

PART NUMBER	DESCRIPTION
DFHCMIN3403-01	Hight Speed HDMI Cable With Ethernet 34AWG stranded BC Type A-Type A 3FT

05



HDMI 2.1 CABLE

V. HDMI 2.1 CABLE

Name: Ultra High-Speed HDMI Cable With Ethernet Type A to A

Feature

- Bandwidth up to 48Gbps
- Compliant to Link with all HDMI A-type Connector devices
- Support HDCP/EDID/CEC/DDC/Audio
- Support Dynamic HDR
- Highly resistant with EMI. and RFI
- Resolution up to 8K@60Hz,4K@120Hz
- HDMI Forum certified
- HDMI 2.1 Compliant

Product image



Specification

PART NUMBER	DESCRIPTION
DFHD2013206-01	HDMI 2.1 Ultra High-Speed HDMI Cable 32AWG BC Type A-Type A 6FT

06



USB CABLE

USB Type-C Cable

VI. USB CABLE

USB Type-C Cable

USB2.0 Type-C to Type-C Cable

Key features

- Speed up to 480Mb/s
- Power output up to 3Amp
- Cable length: 4ft,6ft
- Reversible USB Type-C connector
- Silicon Gel material, ultra soft and flexible to touch
- Remain tangle-free after being bended, twisted, flexed
- Super strength: Estimated 25000 times bending life span

Product image



Specification

PART NUMBER	DESCRIPTION
DFUSBCM06-01	USB 2.0 TYPE C TO TYPE C 28AWG BC BLACK TPE JACKET 6FT NICKEL

VI. USB CABLE

USB Type-C Cable

USB3.2 Gen2 Full-featured Type-C cable

Key spec

- Speed up to 10Gbps
- Power output up to 5Amp
- Max 4K/60Hz video bypass from DP Alt mode supported host
- Cable length max 1.0 meter
- E-marked cable
- Reversible USB Type-C connector
- PVC/TPE
- Certified by USB-IF

Product image



Specification

PART NUMBER	DESCRIPTION
DFUSBCM03-01	USB 3.2 TYPE C TO TYPE C 30AWG BC BLACK TPE JACKET 3FT NICKEL

07



RCA CABLE

VII. RCA CABLE

RCA Composite Video and Left/Right Audio Cable, 2.6mm

Key features

- Fully molded industry standard color-colored RCA connectors
- Makes connecting RCA components easy
- 1 RG59 video 2 fully shielded audio conductors
- Applications include home theater, DSS receivers, s-video VCRs, cam-recorders and DVD
- Available in 2.6 or 5.0mm OD PVC jacket
- Conductor material: CCS or BC

Product image



Specification

PART NUMBER	DESCRIPTION
DF3RCA05-01	3RCA-3RCA 10/0.10CCS NICKEL 1.5M
DF3RCA06-01	3RCA-3RCA 10/0.10CCS NICKEL 1.83M
DF3RCA07-01	3RCA-3RCA 10/0.10CCS NICKEL 2.0M

08



Telephone Cables

VIII. Telephone Cables

RJ11 Telephone cable

Feature & Benefit

- Flat Modular cable-PVC jacket
- 2 conductor telecommunications cable
- Cross-wired for telephone-voice applications
- Available in 26AWG or 28 AWG CCA or BC conductor
- Supports High-Speed voice and data applications
- Silver and white color

Product image



Specification

PART NUMBER	DESCRIPTION
DFLC6P4C06-01	RJ11 CABLE 28AWG CCA 6P4C 6FT GRAY PVC
DFLC6P4C12-01	RJ11 CABLE 28AWG CCA 6P4C 12FT GRAY PVC

08



NETWORK CABLES

Category 7 S/FTP 4 pair

CATV CABLES CATALOGUE

Description

These cables, for internal installations, are employed in the manufacture of patch cables. These are used in distribution cabinets and in network workstation connections. They offer excellent transmission characteristics exceeding Cat 6 requirements with values at 250 MHz, superior to any other cable on the market. The outer sheath can be in PVC (standard product) or in non-halogenated material (by special order)

Product Classification

- Regional Availability : America / Latin America
- Brand name : DE FANG
- Product Type : Twisted pair cable

General Specifications

- ANSI/TIA Category : 7
- Cable Component Type : Horizontal
- Cable Type : S/FTP (Shielded)
- Conductor Type, singles : Solid
- Conductors, quantity : 8
- Jacket Color : According to customer requirements
- Pairs, quantity : 4
- Transmission Standards : ANSI/TIA-568.C-2 | ISO/IEC 11801 | UL444

Dimensions

- Cable Length : 305 m | 1000 ft
- Diameter Over Conductor : 1.33mm
- Diameter Over Jacket, nominal : 7.6 mm
- Conductor Gauge, singles : 23 AWG | 0.55mm

Electrical Specifications

- Operating Voltage, maximum : 80 V
- Delay Shew 1-250Mhz : $\leq 25\text{ns}/100\text{m}$
- DC Resistance : $\leq 9.5\Omega/100\text{m}$
- DC Conductor Resistance Unbalance : $\leq 2\%$
- Unbalance to Ground Capacitance : $\leq 330\text{pf} / 100\text{m}$

Category 7 S/FTP 4 pair

CATV CABLES CATALOGUE

Material Specifications

- Conductor Material : Bare copper
- Insulation Material : Skin-foam-skin-Polyolefin
- Jacket Material : PVC (CM,CMX,CMR,LSZH.PE)
- Shielded Line Pair : Aluminum Foiled
- Braided Shielding : Braided with tinned copper or aluminum magnesium alloy

Technical Performance (100M)

Frequency (MHz)	RL ≥dB	Attenuation ≤dB/100m	Next <—> ≥dB/100m	Phase Delay Ns/100m	PS Next <—> ≥dB/100m	ELFEXT <—> ≥dB/100m	PS ELFEXT <—> ≥dB/100m
1.0	20.0	-	78.0	570.0	75.0	78.0	75.0
4.0	23.0	3.74	78.0	552.0	75.0	78.0	75.0
8.0	24.5	5.24	78.0	546.7	75.0	75.9	72.9
10.0	25.0	5.86	78.0	545.4	75.0	74.0	71.0
16.0	25.0	7.41	78.0	543.0	75.0	69.9	66.9
20.0	25.0	8.29	78.0	542.0	75.0	68.0	65.0
25.0	24.3	9.29	78.0	541.2	75.0	66.0	63.0
31.25	23.6	10.41	78.0	540.4	75.0	64.1	61.1
62.5	21.5	14.88	75.5	538.6	72.5	58.1	55.1
100	20.1	19.02	72.4	537.6	69.4	54.0	51.0
150	18.9	23.56	69.8	536.9	66.8	50.2	47.2
200	18.0	27.47	67.9	536.5	64.9	48.0	45.0
250	17.3	30.97	66.4	536.3	63.4	46.0	43.0
300	17.3	34.19	65.2	536.1	62.2	44.5	41.5
600	17.3	50.10	60.7	535.5	57.7	38.4	35.4
*800	17.3	58.92	58.9	535.27	55.9	35.4	32.9
*1000	13.1	66.93	57.4	535.14	54.4	34	31

Mechanical Characteristics

- Operating Temperature : -30°C to+50°C (LSZH/PE)
- Operating Temperature : -20°C to+50°C (PVC)
- Elongation Before Aging : ≥300%(Insulation),≥100% (PVC Jacket)
- Tensile Strength Before Aging : ≥16.5MPa(Insulation),≥13.8MPa (PVC Jacket)
- Elongation After Aging : ≥75%of unaged(Insulation);≥50%of unaged (PVC Jacket)
- Tensile Strength After Aging : ≥75%of unaged(Insulation);≥85%of unaged (PVC Jacket)

Category 7 S/FTP 4 pair

CATV CABLES CATALOGUE

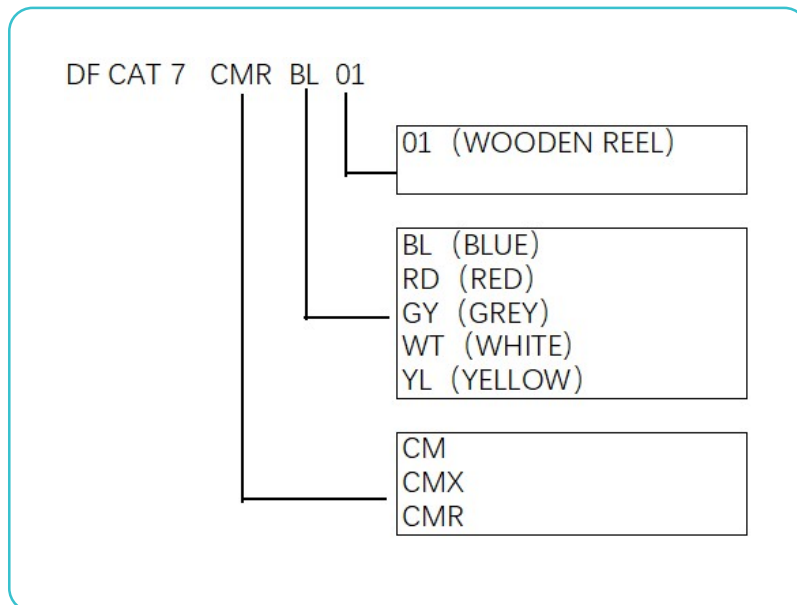
Certification

- ETL/UL LISTED

Ordering Info.

DF PN	Jacket	Packaging	Size (cm)	G.W. (KG)
DFCAT7CMR-GY02	CMR Grey	Wooden Reel 1000FT	38*16*22	18.5

Example



Category 6A F/UTP 4 pair

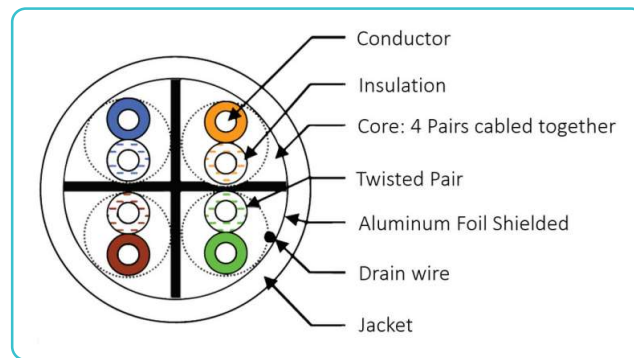
CATV CABLES CATALOGUE

Description

These cables, for internal installations, are employed in the manufacture of patch cables. These are used in distribution cabinets and in network workstation connections. They offer excellent transmission characteristics exceeding Cat 6A requirements with values at 500 MHz, superior to any other cable on the market. The outer sheath can be in PVC (standard product) or in non-halogenated material (by special order)

Product Classification

- Regional Availability : America / Latin America
- Brand name : DE FANG
- Product Type : Twisted pair cable



General Specifications

- ANSI/TIA Category : 6A
- Cable Component Type : Horizontal
- Cable Type : U/FTP (SHIELDING)
- Conductor Type, singles : Solid
- Conductors, quantity : 8
- Jacket Color : According to customer requirements
- Pairs, quantity : 4
- Transmission Standards : ANSI/TIA-568.C-2 | ISO/IEC 11801 | UL444

Dimensions

- Cable Length : 305 m | 1000 ft
- Diameter Over Conductor : 1.0 mm
- Diameter Over Jacket, nominal : 7.2 mm
- Conductor Gauge, singles : 23 AWG | 0.55mm

Category 6A F/UTP 4 pair

CATV CABLES CATALOGUE

Electrical Specifications

- Operating Voltage, maximum : 80 V
- Impedance 1-250Mhz : $100 \pm 15 \Omega$
- Delay Shew 1-250Mhz : $\leq 45 \text{ns}/100\text{m}$
- DC Resistance : $\leq 6.66 \Omega/100\text{m}$
- Capacitance : $\leq 5.6 \text{nF}/100\text{m}$ @ 500MHZ
- Insulation Resistance : $\geq 5000 \text{M}\Omega \cdot \text{km}$
- Nominal Velocity of Propagation (NVP) : 64%

Material Specifications

- Conductor Material : Bare copper
- Insulation Material : Skin-foam-skin-Polyolefin
- Jacket Material : PVC (CM,CMX,CMR,LSZH)
- Shielded Line Pair : Aluminum/Polyester

Technical Performance (100M)

Frequency (MHz)	RL $\geq \text{dB}$	Attenuation $\leq \text{dB}/100\text{m}$	Next $\geq \text{dB}/100\text{m}$	Phase Delay $\text{Ns}/100\text{m}$	PS Next $\geq \text{dB}/100\text{m}$	ELFEXT $\geq \text{dB}/100\text{m}$	PS ELFEXT $\geq \text{dB}/100\text{m}$
1.0	20.0	2.1	74.3	570.0	72.3	67.8	64.8
4.0	23.0	3.8	65.3	552.0	63.3	55.8	52.8
8.0	24.5	5.3	60.8	546.7	48.8	49.7	46.7
10.0	25.0	5.9	59.3	545.4	57.3	47.8	44.8
16.0	25.0	7.5	56.2	543.0	54.2	43.7	40.7
20.0	25.0	8.4	54.8	542.1	52.8	41.8	38.8
25.0	24.3	9.4	53.3	541.2	51.3	39.8	36.8
31.25	23.6	10.5	51.9	540.4	49.9	37.9	34.9
62.5	21.5	15.0	47.4	538.6	45.4	31.9	28.9
100	20.1	19.1	44.3	537.6	42.3	27.8	24.8
200	18.0	27.6	39.8	536.5	37.8	21.8	18.8
250	17.3	31.1	38.3	536.3	36.3	19.8	16.8
300	16.8	34.3	37.1	536.1	35.1	18.3	15.3
600	15.2	45.3	33.8	535.6	31.8	13.8	10.8

Category 6A F/UTP 4 pair

CATV CABLES CATALOGUE

Mechanical Characteristics

- Operating Temperature : -20°C to+60°C
- Elongation Before Aging : ≥300%(Insulation),≥100% (PVC Jacket)
- Tensile Strength Before Aging : ≥16.5MPa(Insulation),≥13.8MPa (PVC Jacket)
- Elongation After Aging : ≥75%of unaged(Insulation);≥50%of unaged (PVC Jacket)
- Tensile Strength After Aging : ≥75%of unaged(Insulation);≥85%of unaged (PVC Jacket)

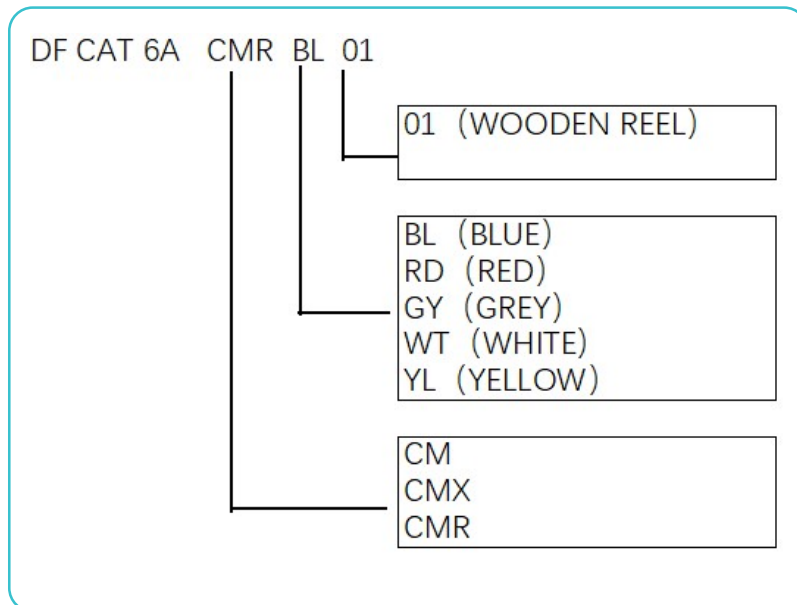
Certification

- ETL/UL LISTED

Ordering Info.

DF PN	Jacket	Packaging	Size (cm)	G.W. (KG)
DFCAT6ACMR-GY02	CMR Grey	Wooden Reel 1000FT	38*16*22	17.8

Example



Category 6 U/UTP 4 pair

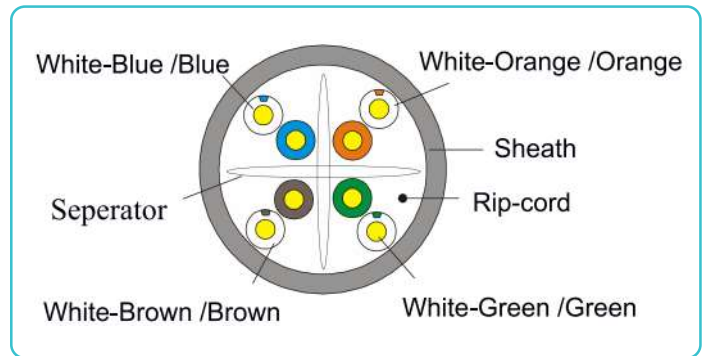
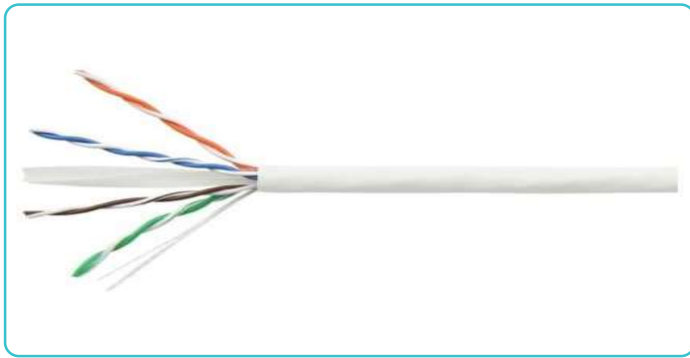
CATV CABLES CATALOGUE

Description

These cables, for internal installations, are employed in the manufacture of patch cables. These are used in distribution cabinets and in network workstation connections. They offer excellent transmission characteristics exceeding Cat 6 requirements with values at 250 MHz, superior to any other cable on the market. The outer sheath can be in PVC (standard product) or in non-halogenated material (by special order)

Product Classification

- Regional Availability : America / Latin America
- Brand name : DE FANG
- Product Type : Twisted pair cable



General Specifications

- ANSI/TIA Category : 6
- Cable Component Type : Horizontal
- Cable Type : U/UTP (unshielded)
- Conductor Type, singles : Solid
- Conductors, quantity : 8
- Jacket Color : According to customer requirements
- Pairs, quantity : 4
- Transmission Standards : ANSI/TIA-568.C-2 | ISO/IEC 11801 | UL444

Dimensions

- Cable Length : 305 m | 1000 ft
- Diameter Over Conductor : 1.0 mm
- Diameter Over Jacket, nominal : 6.2 mm
- Conductor Gauge, singles : 23 AWG | 0.55mm

Category 6 U/UTP 4 pair

CATV CABLES CATALOGUE

Electrical Specifications

- Operating Voltage, maximum : 80 V
- Impedance 1-250Mhz : 100±15Ω
- Delay Shew 1-250Mhz : ≤45ns/100m
- DC Resistance : ≤7.38Ω/100m
- DC Conductor Resistance Unbalance : ≤5%
- Capacitance : ≤5.6nF/100m
- Insulation Resistance : ≥5000MΩ*km

Material Specifications

- Conductor Material : Bare copper
- Insulation Material : Skin-foam-skin-Polyolefin
- Jacket Material : PVC (CM,CMX,CMR)

Technical Performance (100M)

Frequency (MHz)	RL ≥dB	ATT ≤dB	Next ≥dB	Phase Delay ≥ns	PS Next ≥dB	ELFEXT ≥dB	PS ELFEXT ≥dB
1.0	20.0	2.03	74.3	570.00	72.3	68.0	65.0
4.0	23.0	3.78	65.3	552.00	63.3	56.0	53.0
8.0	24.5	5.32	60.8	546.73	58.7	49.9	46.9
10.0	25.0	5.95	59.3	545.38	57.3	48.0	45.0
16.0	25.0	7.55	56.2	543.00	54.2	43.9	40.9
20.0	25.0	8.47	54.8	542.05	52.8	42.0	39.0
25.0	24.3	9.51	53.3	541.20	51.3	40.0	37.0
31.25	23.6	10.67	52.0	540.44	49.9	38.1	35.1
62.5	21.5	15.38	47.4	538.55	45.4	32.1	29.1
100	20.1	19.80	44.3	537.60	42.3	28.0	25.0
200	18.0	28.98	39.8	536.54	37.8	22.0	19.0
250	17.3	32.85	38.3	536.27	36.3	20.0	17.0

Category 6 U/UTP 4 pair

CATV CABLES CATALOGUE

Mechanical Characteristics

- Installation Temperature : -20°C to+75°C
- Operating Temperature : -20°C to+75°C
- Elongation Before Aging : ≥300%(Insulation),≥100% (Jacket)
- Tensile Strength Before Aging : ≥16.5MPa(Insulation),≥13.8MPa (Jacket)
- Elongation After Aging : ≥75%of unaged(Insulation);≥50%of unaged (Jacket)
- Tensile Strength After Aging : ≥75%of unaged(Insulation);≥85%of unaged (Jacket)

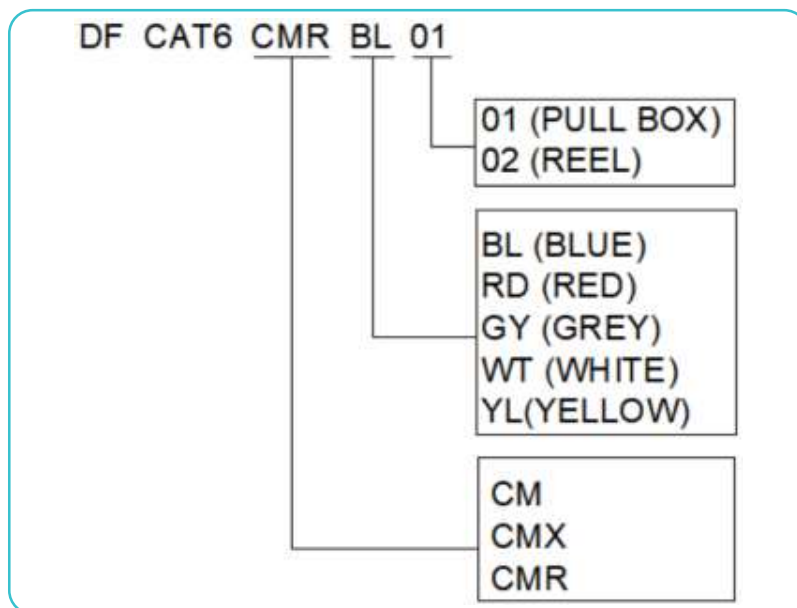
Certification

- ETL/UL LISTED

Ordering Info.

DF PN	Jacket	Packaging	Size (cm)	G.W. (KG)
DFCAT6CMR-BL02	CMR Blue	Pull Box 1000FT	41*41*23	13
DFCAT6CM-GY02	CM Grey	Reel 1000FT	37*16*18	14.5

Example



Category 6 U/UTP 4 pair CMP

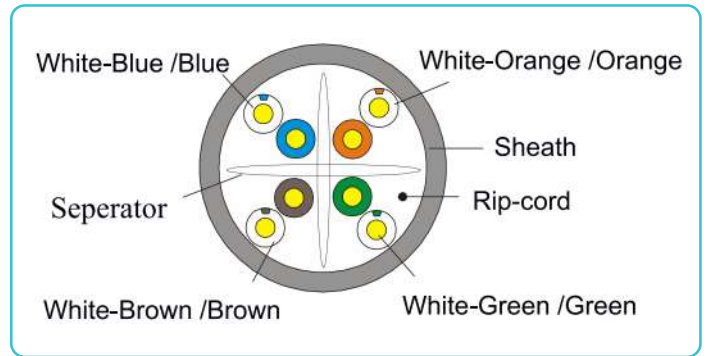
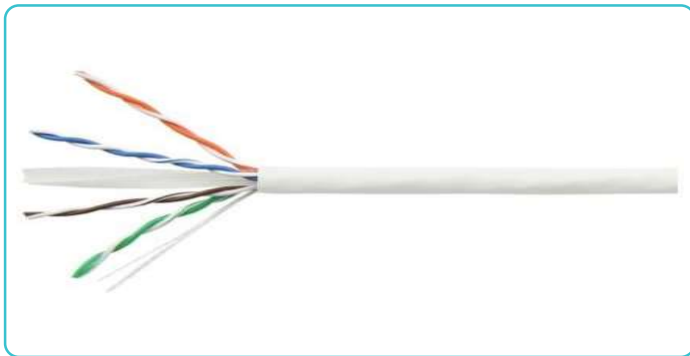
CATV CABLES CATALOGUE

Description

These cables, for internal installations, are employed in the manufacture of patch cables. These are used in distribution cabinets and in network workstation connections. They offer excellent transmission characteristics exceeding Cat 6 requirements with values at 250 MHz, superior to any other cable on the market. The outer sheath can be in CMP PVC (standard product). CMP must be used in air ducts or vents. Typically, it is the prime choice for cabling construction in train station, airport and other public people-intensive places where we must prevent hazards to human health and safety from wiring

Product Classification

- Regional Availability : America / Latin America
- Brand name : DE FANG
- Product Type : Twisted pair cable



General Specifications

- ANSI/TIA Category : 6
- Cable Component Type : Horizontal
- Cable Type : U/UTP (unshielded)
- Conductor Type, singles : Solid
- Conductors, quantity : 8
- Jacket Color : According to customer requirements
- Pairs, quantity : 4
- Transmission Standards : ANSI/TIA-568.C-2 | ISO/IEC 11801 | UL444

Dimensions

- Cable Length : 305 m | 1000 ft
- Diameter Over Conductor : 1.0 mm
- Diameter Over Jacket, nominal : 6.2 mm
- Conductor Gauge, singles : 23 AWG | 0.55mm

Category 6 U/UTP 4 pair CMP

CATV CABLES CATALOGUE

Electrical Specifications

- Operating Voltage, maximum : 80 V
- Impedance 1-250Mhz : 100±15Ω
- Delay Shew 1-250Mhz : ≤45ns/100m
- DC Resistance : ≤7.38Ω/100m
- DC Conductor Resistance Unbalance : ≤5%
- Capacitance : ≤5.6nF/100m
- Insulation Resistance : ≥5000MΩ*km

Material Specifications

- Conductor Material : Bare copper
- Insulation Material : FEP
- Separator : FEP
- Jacket Material : PVC (CMP)

Technical Performance (100M)

Frequency (MHz)	RL ≥dB	ATT ≤dB	Next ≥dB	Phase Delay ≥ns	PS Next ≥dB	ELFEXT ≥dB	PS ELFEXT ≥dB
1.0	20.0	2.03	74.3	570.00	72.3	68.0	65.0
4.0	23.0	3.78	65.3	552.00	63.3	56.0	53.0
8.0	24.5	5.32	60.8	546.73	58.7	49.9	46.9
10.0	25.0	5.95	59.3	545.38	57.3	48.0	45.0
16.0	25.0	7.55	56.2	543.00	54.2	43.9	40.9
20.0	25.0	8.47	54.8	542.05	52.8	42.0	39.0
25.0	24.3	9.51	53.3	541.20	51.3	40.0	37.0
31.25	23.6	10.67	52.0	540.44	49.9	38.1	35.1
62.5	21.5	15.38	47.4	538.55	45.4	32.1	29.1
100	20.1	19.80	44.3	537.60	42.3	28.0	25.0
200	18.0	28.98	39.8	536.54	37.8	22.0	19.0
250	17.3	32.85	38.3	536.27	36.3	20.0	17.0

Category 6 U/UTP 4 pair CMP

CATV CABLES CATALOGUE

Mechanical Characteristics

- Installation Temperature : -20°C to+75°C
- Operating Temperature : -20°C to+75°C
- Flame Test Method : CMP/FT6
- Elongation Before Aging : ≥300%(Insulation),≥100% (Jacket)
- Tensile Strength Before Aging : ≥16.5MPa(Insulation),≥13.8MPa (Jacket)
- Elongation After Aging : ≥75%of unaged(Insulation);≥50%of unaged (Jacket)
- Tensile Strength After Aging : ≥75%of unaged(Insulation);≥85%of unaged (Jacket)

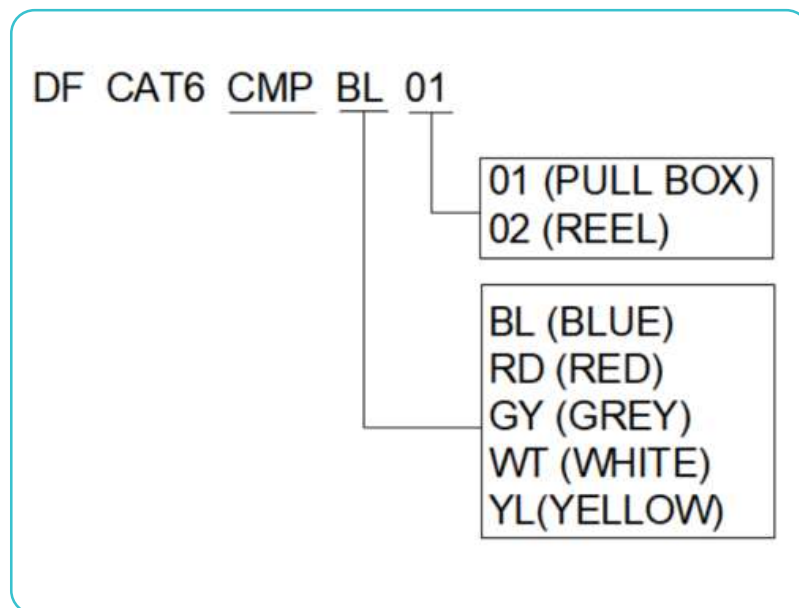
Certification

- ETL/UL LISTED

Ordering Info.

DF PN	Jacket	Packaging	Size (cm)	G.W. (KG)
DFCAT6CMP-BL02	CMR Blue	Pull Box 1000FT	41*41*23	13
DFCAT6CMP-GY02	CM Grey	Reel 1000FT	37*16*18	14.5

Example



Category 6 U/UTP 4 pair outdoor

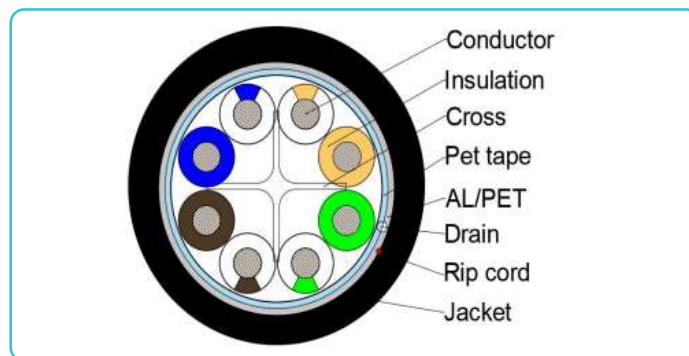
CATV CABLES CATALOGUE

Description

These cables, for internal installations, are employed in the manufacture of patch cables. These are used in distribution cabinets and in network workstation connections. They offer excellent transmission characteristics exceeding Cat 6 requirements with values at 250 MHz, superior to any other cable on the market. The outer sheath can be in PE. Good sealing performance, wear resistance and UV and aging resistance, inner polyester belt and waterproof belt to better prevent water vapor entry

Product Classification

- Regional Availability : America / Latin America
- Brand name : DE FANG
- Product Type : Twisted pair cable



General Specifications

- ANSI/TIA Category : 6
- Cable Component Type : Horizontal
- Cable Type : U/UTP (unshielded)
- Conductor Type, singles : Solid
- Conductors, quantity : 8
- Jacket Color : Black
- Pairs, quantity : 4
- Transmission Standards : ANSI/TIA-568.C-2 | ISO/IEC 11801 | UL444

Category 6 U/UTP 4 pair outdoor

CATV CABLES CATALOGUE

Dimensions

- Cable Length : 305 m | 1000 ft
- Diameter Over Conductor : 1.0 mm
- Diameter Over Jacket, nominal : 7.0 mm
- Conductor Gauge, singles : 23 AWG | 0.55mm

Electrical Specifications

- Operating Voltage, maximum : 80 V
- Impedance 1-250Mhz : $100 \pm 15 \Omega$
- Delay Shew 1-250Mhz : $\leq 45 \text{ns}/100\text{m}$
- DC Resistance : $\leq 7.38 \Omega/100\text{m}$
- DC Conductor Resistance Unbalance : $\leq 5\%$
- Capacitance : $\leq 5.6 \text{nF}/100\text{m}$
- Insulation Resistance : $\geq 5000 \text{M}\Omega \cdot \text{km}$

Material Specifications

- Conductor Material : Bare copper
- Insulation Material : Polyolefin
- Wrapping (1) : PE Tape
- Wrapping (2) : Water block tape
- CROSS : PE
- Drain : 0.4mm TC
- Jacket Material : PE BLACK

Technical Performance

- Acceptance criterion: Fluke Permanent link test $\leq 90\text{m}$,pass

Category 6 U/UTP 4 pair outdoor

CATV CABLES CATALOGUE

Mechanical Characteristics

- Installation Temperature : -30°C to+75°C
- Operating Temperature : -40°C to+75°C
- Elongation Before Aging : ≥300%(Insulation),≥100% (Jacket)
- Tensile Strength Before Aging : ≥16.5MPa(Insulation),≥8.3MPa (Jacket)
- Elongation After Aging : ≥75%of unaged(Insulation);≥75%of unaged (Jacket)
- Tensile Strength After Aging : ≥75%of unaged(Insulation);≥75%of unaged (Jacket)

Certification

- ETL/UL LISTED

Ordering Info.

DF PN	Jacket	Packaging	Size (cm)	G.W. (KG)
DFCAT6CMRPB-DB	PE Black	Reel 1000FT	12*32*28	15

Category 5e U/UTP 4 pair

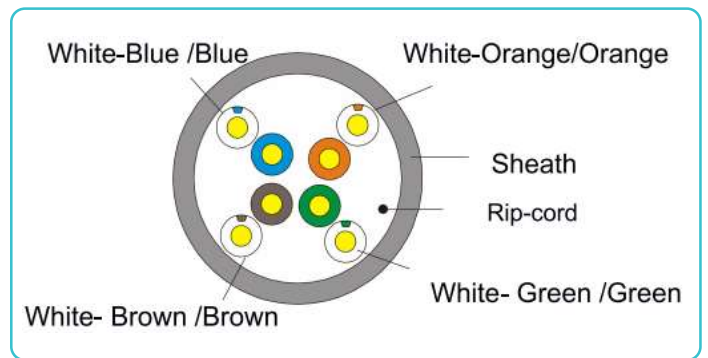
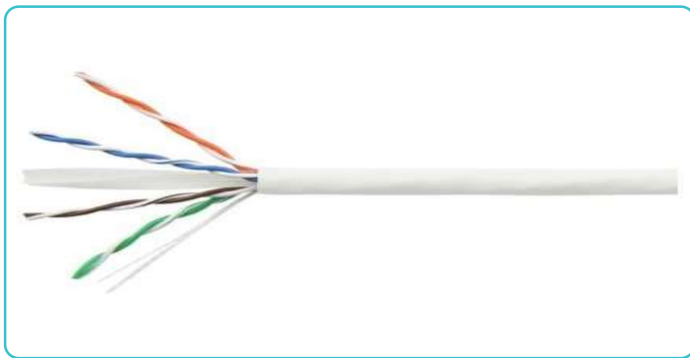
CATV CABLES CATALOGUE

Description

These cables, for internal installations, are employed in the manufacture of patch cables. These are used in distribution cabinets and in network workstation connections. They offer excellent transmission characteristics exceeding Cat 5e requirements, with values of 125 MHz superior to other cables on the market. The outer sheath can be in PVC or in non-halogenated material (by special order)

Product Classification

- Regional Availability : America / Latin America
- Brand name : DE FANG
- Product Type : Twisted pair cable



General Specifications

- ANSI/TIA Category : 5e
- Cable Component Type : Horizontal
- Cable Type : U/UTP (unshielded)
- Conductor Type, singles : Solid
- Conductors, quantity : 8
- Jacket Color : According to customer requirements
- Pairs, quantity : 4
- Transmission Standards : ANSI/TIA-568.C-2 | ISO/IEC 11801 | UL444

Dimensions

- Cable Length : 305 m | 1000 ft
- Diameter Over Conductor : 0.87 mm
- Diameter Over Jacket, nominal : 5.0 mm
- Conductor Gauge, singles : 24 AWG | 0.49mm

Category 5e U/UTP 4 pair

CATV CABLES CATALOGUE

Electrical Specifications

- Operating Voltage, maximum : 80 V
- Impedance 1-100Mhz : $100\pm 15\Omega$
- Delay Shew 1-100Mhz : $\leq 45\text{ns}/100\text{m}$
- DC Resistance : $\leq 9.38\Omega/100\text{m}$
- DC Conductor Resistance Unbalance : $\leq 5\%$
- Capacitance : $\leq 5.6\text{nF}/100\text{m}$
- Nominal Velocity of Propagation (NVP) : 69%

Material Specifications

- Conductor Material : Bare copper
- Insulation Material : Polyolefin
- Jacket Material : PVC (CM,CMX,CMR)

Technical Performance (100M)

Frequency (MHz)	RL \geq dB	ATT \leq dB	Next \geq dB	Phase Delay \leq ns	PS Next \geq dB	ELFEXT \geq dB	PS ELFEXT \geq dB
1.0	20.0	2.0	65.3	570.00	62.3	63.8	60.8
4.0	23.0	4.1	56.3	552.00	53.3	51.8	48.8
8.0	24.5	5.8	51.8	546.73	48.8	45.7	42.7
10.0	25.0	6.5	50.3	545.38	47.3	43.8	40.8
16.0	25.0	8.2	47.2	543.00	44.4	39.7	36.7
20.0	25.0	9.3	45.8	542.05	42.8	37.8	34.8
25.0	24.3	10.4	44.3	541.20	41.3	35.8	32.8
31.25	23.6	11.7	42.9	540.44	39.9	33.9	30.9
62.5	21.5	17.0	38.4	538.55	35.4	27.9	24.9
100	20.1	22.0	35.3	537.60	32.3	23.8	20.8

Category 5e U/UTP 4 pair

CATV CABLES CATALOGUE

Mechanical Characteristics

- Installation Temperature : -20°C to+75°C
- Operating Temperature : -20°C to+75°C
- Elongation Before Aging : ≥300%(Insulation),≥100% (Jacket)
- Tensile Strength Before Aging : ≥16.5MPa(Insulation),≥13.8MPa (Jacket)
- Elongation After Aging : ≥75%of unaged(Insulation);≥50%of unaged (Jacket)
- Tensile Strength After Aging : ≥75%of unaged(Insulation);≥85%of unaged (Jacket)

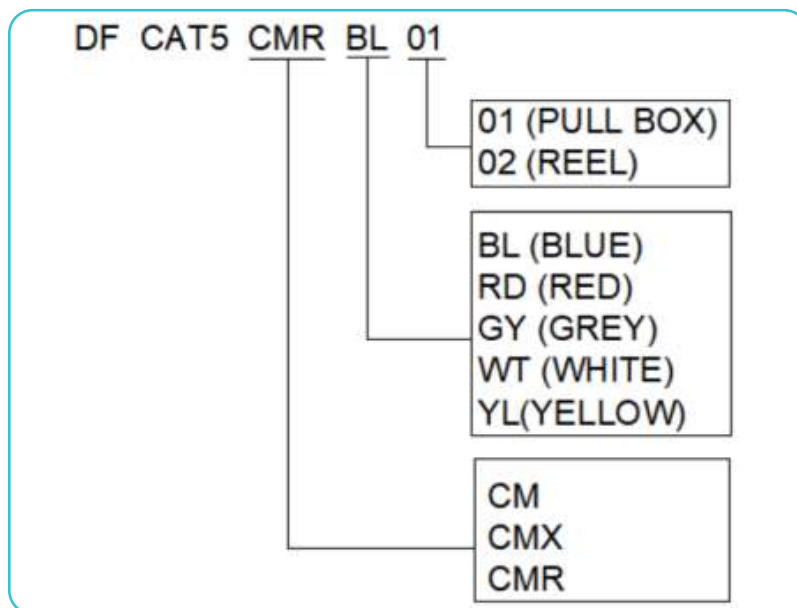
Certification

- ETL/UL LISTED

Ordering Info.

DF PN	Jacket	Packaging	Size (cm)	G.W. (KG)
DFCAT5CMR-BL01	CMR Blue	Pull Box 1000FT	35*35*22	9.5
DFCAT5CM-GY02	CM Grey	Reel 1000FT	37*15*15	10.5

Example



Category 5e U/UTP 4 pair CMP

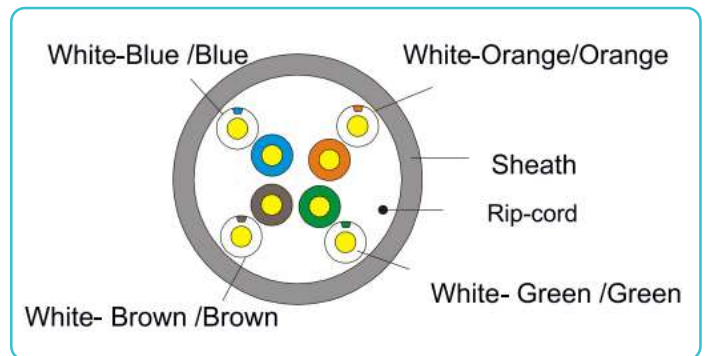
CATV CABLES CATALOGUE

Description

These cables, for internal installations, are employed in the manufacture of patch cables. These are used in distribution cabinets and in network workstation connections. They offer excellent transmission characteristics exceeding Cat 5e requirements, with values of 125 MHz superior to other cables on the market. The outer sheath can be in CMP PVC CMP must be used in air ducts or vents. Typically, it is the prime choice for cabling construction in train station, airport and other public people-intensive places where we must prevent hazards to human health and safety from wiring.

Product Classification

- Regional Availability : America / Latin America
- Brand name : DE FANG
- Product Type : Twisted pair cable



General Specifications

- ANSI/TIA Category : 5e
- Cable Component Type : Horizontal
- Cable Type : U/UTP (unshielded)
- Conductor Type, singles : Solid
- Conductors, quantity : 8
- Jacket Color : According to customer requirements
- Pairs, quantity : 4
- Transmission Standards : ANSI/TIA-568.C-2 | ISO/IEC 11801 | UL444

Dimensions

- Cable Length : 305 m | 1000 ft
- Diameter Over Conductor : 0.87 mm
- Diameter Over Jacket, nominal : 5.0 mm
- Conductor Gauge, singles : 24 AWG | 0.49mm

Category 5e U/UTP 4 pair CMP

CATV CABLES CATALOGUE

Electrical Specifications

- Operating Voltage, maximum : 80 V
- Impedance 1-100Mhz : 100±15Ω
- Delay Shew 1-100Mhz : ≤45ns/100m
- DC Resistance : ≤9.38Ω/100m
- DC Conductor Resistance Unbalance : ≤5%
- Capacitance : ≤5.6nF/100m
- Nominal Velocity of Propagation (NVP) : 65%

Material Specifications

- Conductor Material : Bare copper
- Insulation Material : FEP
- Jacket Material : PVC (CMP)

Technical Performance (100M)

Frequency (MHz)	RL ≥dB	ATT ≤dB	Next ≥dB	Phase Delay ≤ns	PS Next ≥dB	ELFEXT ≥dB	PS ELFEXT ≥dB
1.0	20.0	2.0	65.3	570.00	62.3	63.8	60.8
4.0	23.0	4.1	56.3	552.00	53.3	51.8	48.8
8.0	24.5	5.8	51.8	546.73	48.8	45.7	42.7
10.0	25.0	6.5	50.3	545.38	47.3	43.8	40.8
16.0	25.0	8.2	47.2	543.00	44.4	39.7	36.7
20.0	25.0	9.3	45.8	542.05	42.8	37.8	34.8
25.0	24.3	10.4	44.3	541.20	41.3	35.8	32.8
31.25	23.6	11.7	42.9	540.44	39.9	33.9	30.9
62.5	21.5	17.0	38.4	538.55	35.4	27.9	24.9
100	20.1	22.0	35.3	537.60	32.3	23.8	20.8

Category 5e U/UTP 4 pair CMP

CATV CABLES CATALOGUE

Mechanical Characteristics

- Installation Temperature : -20°C to+75°C
- Operating Temperature : -20°C to+75°C
- Flame Test Method : CMP/FT6
- Elongation Before Aging : ≥300%(Insulation),≥100% (Jacket)
- Tensile Strength Before Aging : ≥16.5MPa(Insulation),≥13.8MPa (Jacket)
- Elongation After Aging : ≥75%of unaged(Insulation);≥50%of unaged (Jacket)
- Tensile Strength After Aging : ≥75%of unaged(Insulation);≥85%of unaged (Jacket)

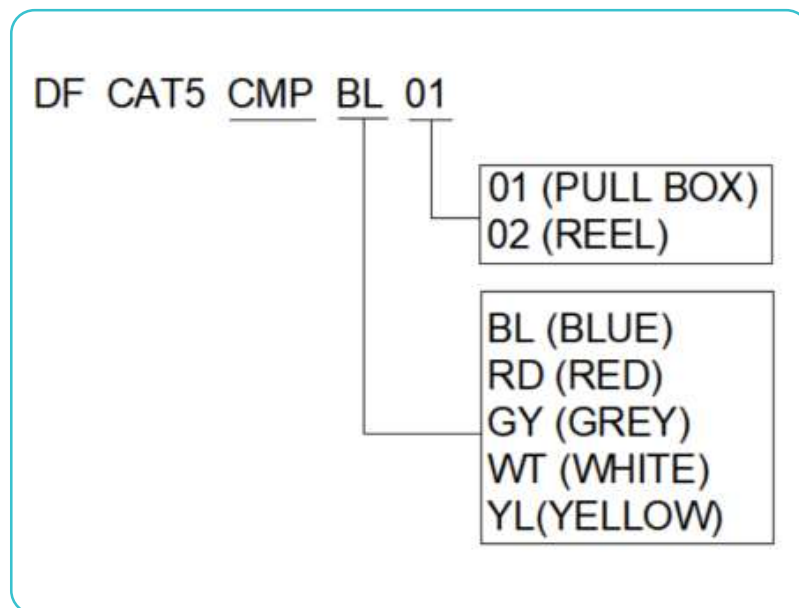
Certification

- ETL/UL LISTED

Ordering Info.

DF PN	Jacket	Packaging	Size (cm)	G.W. (KG)
DFCAT5CMP-BL01	CMR Blue	Pull Box 1000FT	35*35*22	9.5
DFCAT5CMP-GY02	CM Grey	Reel 1000FT	37*15*15	10.5

Example



Category 5e U/UTP 4 pair outdoor

CATV CABLES CATALOGUE

Description

These cables, for internal installations, are employed in the manufacture of patch cables. These are used in distribution cabinets and in network workstation connections. They offer excellent transmission characteristics exceeding Cat 5e requirements, with values of 125 MHz superior to other cables on the market. The outer sheath can be in PE, Good sealing performance, wear resistance and UV and aging resistance, inner polyester belt and waterproof belt to better prevent water vapor entry

Product Classification

- Regional Availability : America / Latin America
- Brand name : DE FANG
- Product Type : Twisted pair cable



General Specifications

- ANSI/TIA Category : 5e
- Cable Component Type : Horizontal
- Cable Type : U/UTP (unshielded)
- Conductor Type, singles : Solid
- Conductors, quantity : 8
- Jacket Color : Black
- Pairs, quantity : 4
- Transmission Standards : ANSI/TIA-568.C-2 | ISO/IEC 11801 | UL444

Category 5e U/UTP 4 pair outdoor

CATV CABLES CATALOGUE

Dimensions

- Cable Length : 305 m | 1000 ft
- Diameter Over Conductor : 0.87 mm
- Diameter Over Jacket, nominal : 5.8 mm
- Conductor Gauge, singles : 24 AWG | 0.49mm

Electrical Specifications

- Operating Voltage, maximum : 80 V
- Impedance 1-100Mhz : $100 \pm 15 \Omega$
- Delay Shew 1-100Mhz : $\leq 45 \text{ns}/100\text{m}$
- DC Resistance : $\leq 9.38 \Omega/100\text{m}$
- DC Conductor Resistance Unbalance : $\leq 5\%$
- Capacitance : $\leq 5.6 \text{nF}/100\text{m}$
- Nominal Velocity of Propagation (NVP) : 69%

Material Specifications

- Conductor Material : Bare copper
- Insulation Material : Polyolefin
- Wrapping (1) : PE Tape
- Wrapping (2) : Water block tape
- Jacket Material : PE BLACK

Technical Performance (100M)

- Acceptance criterion: Fluke Permanent link test $\leq 90\text{m}$,pass

Category 5e U/UTP 4 pair outdoor

CATV CABLES CATALOGUE

Mechanical Characteristics

- Installation Temperature : -30°C to+75°C
- Operating Temperature : -40°C to+75°C
- Elongation Before Aging : ≥300%(Insulation),≥100% (Jacket)
- Tensile Strength Before Aging : ≥16.5MPa(Insulation),≥8.3MPa (Jacket)
- Elongation After Aging : ≥75%of unaged(Insulation);≥75%of unaged (Jacket)
- Tensile Strength After Aging : ≥75%of unaged(Insulation);≥75%of unaged (Jacket)

Certification

- ETL/UL LISTED

Ordering Info.

DF PN	Jacket	Packaging	Size (cm)	G.W. (KG)
DFCAT5CMRPB-DB	PE Black	Reel 1000FT	12*32*22	9.6

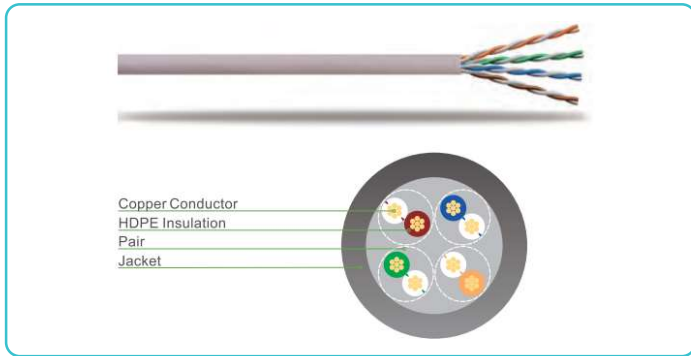
09



NETWORK PATCH
CORD

Structure Cabling Patch Cord

1. U/UTP unshielded twisted 4 pairs category 5e patch cord



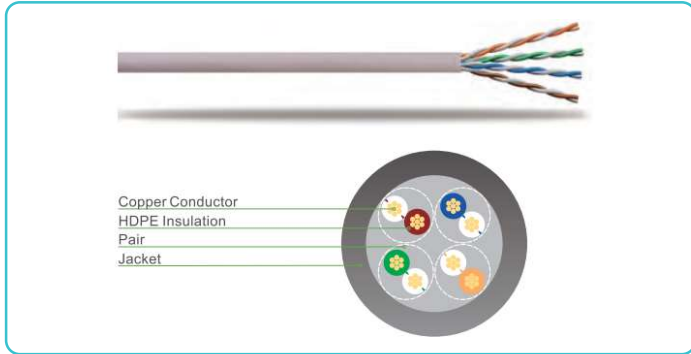
CAT5E Standard

1. Electrical performance guaranteed to meet or exceed
2. ANSI/TIA-568-C.2 Category 5e and ISO/ IEC specifications.
3. Independently tested and verified Intertek (ETL).
4. Ideal for Data center architectural requirements.
5. Stranded cable for maximum flexibility.
6. Available with different plug mold.(Booted or Non-Booted)
7. Available with different color of cable.(Blue, White, Grey, Yellow, Red etc.)
8. Available with different length. (1FT, 2FT...50FT)

Conductor	Stranded Bare Copper 26AWG
Insulation	HDPE
Total number of insulated conductors	8, twisted in 4 pairs
Color code	White-Blue/Blue, White-Orange/Orange White-Green/Green, White-Brown/Brown
Individual pair shield	None
Overall shield	None
Drain wire	None

Structure Cabling Patch Cord

1. U/UTP unshielded twisted 4 pairs category 5e patch cord



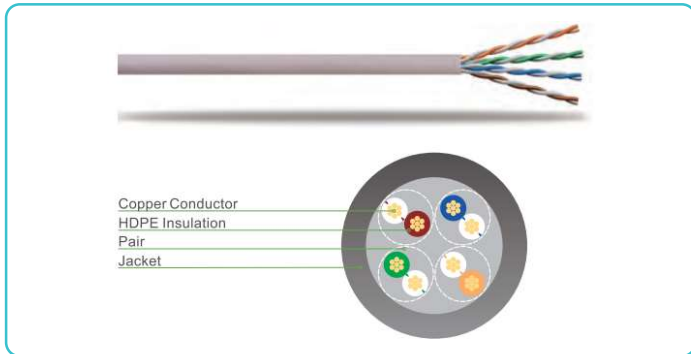
Nominal Transmission Characteristics

Res.	Length	Prop. Delay	Delay Skew	Freq.	Insertion Loss	NEXT	RL	ACR-N	ACR-F	PS NEXT	PS ACR-N	PS ACR-F
Ω	Max	ns	ns	MHz	dB	dB	dB	dB	dB	dB	dB	dB
i	100m	555	50	1	3	60.0	17.0	57.0	57.4	57.0	54.0	54.4
				4	4.5	53.5	17.0	49.1	45.4	50.5	46.1	42.4
				8	6.3	48.6	17.0	42.3	39.3	45.6	39.3	36.3
				10	7.1	47.0	17.0	39.9	37.4	44.0	36.9	34.4
				16	9.1	43.6	17.0	34.5	33.3	40.6	31.5	30.3
				20	10.2	42.0	17.0	31.8	31.4	39.0	28.8	28.4
				25	11.4	40.3	16.0	28.9	29.4	37.3	25.9	26.4
				31.25	12.9	38.7	15.1	25.9	27.5	35.7	22.9	24.5
				62.5	18.6	33.6	12.1	15.0	21.2	30.6	12.0	18.5
				100	24	30.1	10.0	6.1	17.4	27.1	3.1	14.4

PART NUMBER	DESCRIPTION
DFCAT506WH-01	CAT5E UTP 26AWG BC 6FT WHITE CM PVC BOOTED

Structure Cabling Patch Cord

2. U/UTP unshielded twisted 4 pairs category 6 patch cord



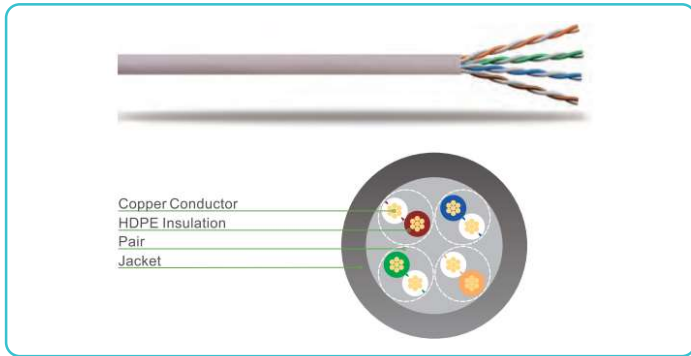
CAT6 Standard

1. Electrical performance guaranteed to meet or exceed
2. ANSI/TIA-568-C.2 Category 6 and ISO/ IEC specifications.
3. Independently tested and verified Intertek (ETL).
4. Ideal for Data center architectural requirements.
5. Stranded cable for maximum flexibility.
6. Available with different plug mold. (Booted or Non-Booted)
7. Available with different color of cable. (Blue, White, Grey, Yellow, Red etc.)
8. Available with different length. (1FT, 2FT...50FT)

Conductor	Stranded Bare Copper 24AWG
Insulation	HDPE
Total number of insulated conductors	8, twisted in 4 pairs
Color code	White-Blue/Blue, White-Orange/Orange White-Green/Green, White-Brown/Brown
Individual pair shield	None
Overall shield	None
Drain wire	None

Structure Cabling Patch Cord

2. U/UTP unshielded twisted 4 pairs category 6 patch cord



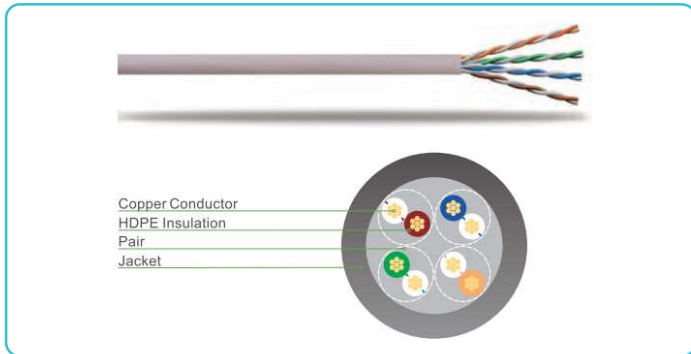
Nominal Transmission Characteristics

Res.	Length	Prop. Delay	Delay Skew	Freq.	Insertion Loss	NEXT	RL	ACR-N	ACR-F	PS NEXT	PS ACR-N	PS ACR-F
Ω	Max	ns	ns	MHz	dB	dB	dB	dB	dB	dB	dB	dB
i	100m	555	50	1	3	65.0	19.0	62.0	63.6	62.0	59.0	60.3
				4	4	63.0	19.0	59.0	51.2	60.5	56.5	48.2
				8	5.7	58.2	19.0	52.5	45.2	55.6	49.9	42.2
				10	6.3	56.6	19.0	50.2	43.3	54.0	47.7	40.3
				16	8	53.2	18.0	45.2	39.2	50.6	42.6	36.2
				20	9	51.6	17.5	42.6	37.2	49.0	39.9	34.2
				25	10.1	50.0	17.0	39.9	35.3	47.3	37.2	32.3
				31.25	11.4	48.4	16.5	37.0	33.4	45.7	34.3	30.4
				62.5	16.5	43.4	14.0	26.9	27.3	40.6	24.1	24.3
				100	21.3	39.9	12.0	18.6	23.3	37.1	15.8	20.3
				200	31.5	34.8	9.0	3.3	17.2	31.9	0.3	14.2
250	35.9	33.1	8.0	-2.8	15.3	30.2	-5.8	12.3				

PART NUMBER	DESCRIPTION
DFCAT606WH-01	CAT6 UTP 24AWG BC 6FT WHITE CM PVC BOOTED

Structure Cabling Patch Cord

3. U/UTP unshielded twisted 4 pairs category 5e CCA patch cord



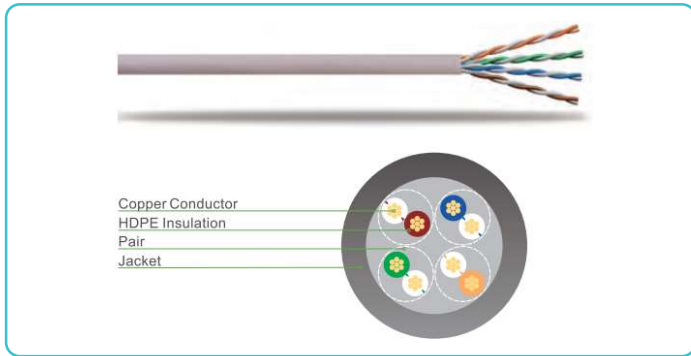
Standard

1. Electrical performance guaranteed to meet or exceed
2. ANSI/TIA-568-C.2 Category 5e and ISO/ IEC specifications.
3. Independently tested and verified Intertek (ETL).
4. Ideal for Data center architectural requirements.
5. Stranded cable for maximum flexibility.
6. Available with different plug mold. (Booted or Non-Booted)
7. Available with different color of cable. (Blue, White, Grey, Yellow, Red etc.)
8. Available with different length. (1FT, 2FT...20FT)

Conductor	Copper clad aluminum 26AWG
Insulation	HDPE
Total number of insulated conductors	8, twisted in 4 pairs
Color code	White-Blue/Blue,White-Orange/Orange White-Green/Green,White-Brown/Brown
Individual pair shield	None
Overall shield	None
Drain wire	None

Structure Cabling Patch Cord

3. U/UTP unshielded twisted 4 pairs category 5e CCA patch cord



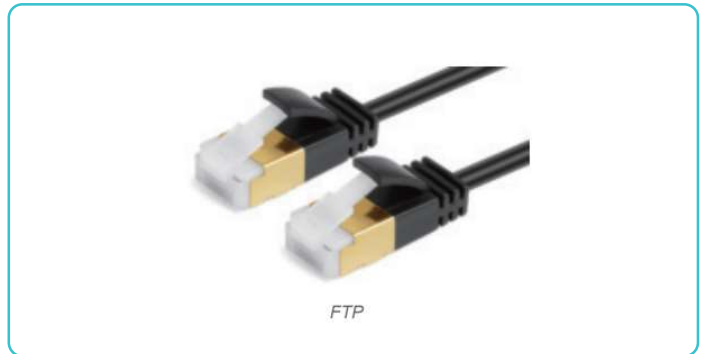
Nominal Transmission Characteristics

Res.	Length	Prop. Delay	Delay Skew	Freq.	Insertion Loss	NEXT	RL	ACR-N	ACR-F	PS NEXT	PS ACR-N	PS ACR-F
Ω	Max	ns	ns	MHz	dB	dB	dB	dB	dB	dB	dB	dB
i	100m	555	50	1	3	60.0	17.0	57.0	57.4	57.0	54.0	54.4
				4	4.5	53.5	17.0	49.1	45.4	50.5	46.1	42.4
				8	6.3	48.6	17.0	42.3	39.3	45.6	39.3	36.3
				10	7.1	47.0	17.0	39.9	37.4	44.0	36.9	34.4
				16	9.1	43.6	17.0	34.5	33.3	40.6	31.5	30.3
				20	10.2	42.0	17.0	31.8	31.4	39.0	28.8	28.4
				25	11.4	40.3	16.0	28.9	29.4	37.3	25.9	26.4
				31.25	12.9	38.7	15.1	25.9	27.5	35.7	22.9	24.5
				62.5	18.6	33.6	12.1	15.0	21.2	30.6	12.0	18.5
				100	24	30.1	10.0	6.1	17.4	27.1	3.1	14.4

PART NUMBER	DESCRIPTION
PCCAT5E05001	CAT5E UTP 26AWG CCA 1.5M YELLOW PVC BOOTED

Structure Cabling Patch Cord

4. S/FTP double fully shielded twisted 4 pairs category 6A patch cord



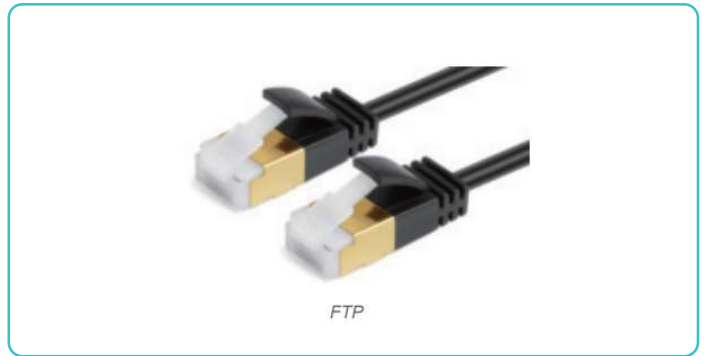
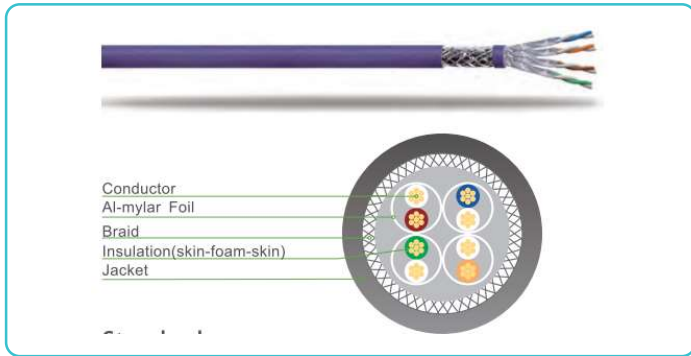
Standard

1. Electrical performance guaranteed to meet or exceed
2. ANSI/TIA-568-C.2 Category 6A and ISO/ IEC specifications.
3. Independently tested and verified Intertek (ETL).
4. Ideal for Data center architectural requirements.
5. Stranded cable for maximum flexibility.
6. Available with different plug mold. (Booted or Non-Booted)
7. Available with different color of cable. (Blue, White, Grey, Yellow, Red etc.)
8. Available with different length. (1FT, 2FT...50FT)

Conductor	stranded bare copper 26AWG
Insulation	PE (Foam-Skin)
Total number of insulated conductors	8, twisted in 4 pairs
Color code	White-Blue/Blue, White-Orange/Orange White-Green/Green, White-Brown/Brown
Individual pair shield	aluminum foil providing 100% coverage, foil face out
Overall shield	Tinned copper braid
Drain wire	None

Structure Cabling Patch Cord

4. S/FTP double fully shielded twisted 4 pairs category 6A patch cord



Nominal Transmission Characteristics

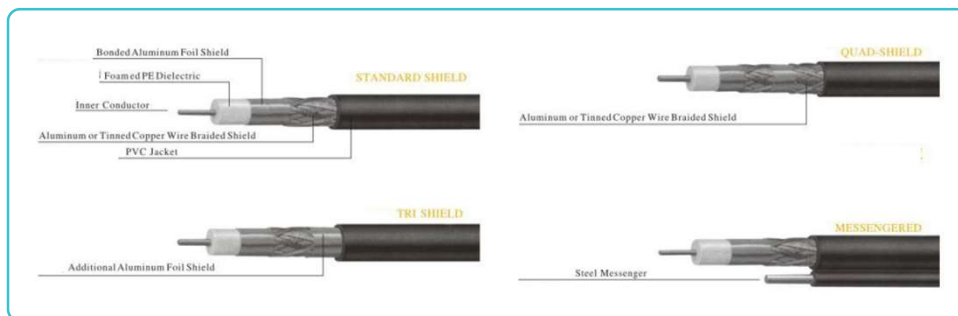
Res.	Length	Prop. Delay	Delay Skew	Freq.	Insertion Loss	NEXT	RL	ACR-N	ACR-F	PS NEXT	PS ACR-N	PS ACR-F
Ω	Max	ns	ns	MHz	dB	dB	dB	dB	dB	dB	dB	dB
i	100m	555	50	1	3	65.0	19.0	62.0	63.6	62.0	59.0	60.3
				4	4.2	63.0	19.0	58.9	51.2	60.5	56.5	48.2
				8	5.8	58.2	19.0	52.4	45.2	55.6	49.8	42.2
				10	6.5	56.6	19.0	50.1	43.3	54.0	47.5	40.3
				16	8.2	53.2	18.0	45.0	39.2	50.6	42.4	36.2
				20	9.2	51.6	17.5	42.5	37.2	49.0	39.8	34.2
				25	10.2	50.0	17.0	39.8	35.3	47.3	37.1	32.3
				31.25	11.5	48.4	16.5	36.9	33.4	45.7	34.2	30.4
				62.5	16.4	43.4	14.0	27.0	27.3	40.6	24.2	24.3
				100	20.9	39.9	12.0	19.0	23.3	37.1	16.2	20.3
				200	30.1	34.8	9.0	4.7	17.2	31.9	1.8	14.2
				250	33.9	33.1	8.0	-0.8	15.3	30.2	-3.7	12.3
				350	40.6	30.3	6.6	-10.3	12.4	27.3	-13.3	9.4
				500	49.3	26.1	6.0	-23.2	9.3	23.2	-26.1	6.3

PART NUMBER	DESCRIPTION
DFCAT6A06BL-01	CAT6A SFTP 26AWG BC 6FT BLUE PVC BOOTED

10

COAX CABLES

a. Series 75Ω Braiding Coaxial Cables



Dimensions

Type	RG59	RG6	RG11
Inner conductor	0.81 mm CCS or BC	1.02 mm CCS or BC	1.63 mm CCS or BC
Dielectric	3.66 mm Foamed PE	4.57 mm Foamed PE	7.11 mm Foamed PE
Out conductor	4.47 mm	5.38 mm	8.03 mm
Shield	AL/P-Foil Bonded		
Braiding	Aluminum		
Jacket	6.1 mm PE/PVC	6.91 mm	10.16 mm

Electrical Characteristics

Type	RG59	RG6	RG11	
Impedance (Ω)	75±3			
SRL (≥dB)	20			
Capacitance (pF/m)	53.1			
Velocity of propagation	85%			
Attenuation (≤db/100m) 20°C	5MHz	2.91	2.00	1.44
	55MHz	6.73	5.25	3.20
	211MHz	12.47	10.00	6.23
	300MHz	14.60	11.64	7.38
	400MHz	16.73	13.61	8.53
	450MHz	17.72	14.43	9.02
	550MHz	19.52	16.08	9.97
	750MHz	22.87	18.54	11.97
	865MHz	24.67	20.01	13.05
1000MHz	26.64	21.49	14.27	

a. Series 75Ω Braiding Coaxial Cables

PART NUMBER	DESCRIPTION
DFRG690B-001	CABLE COAXIAL RG6 CCS 90% BRAIDING BLACK PVC
DFRG690W-001	CABLE COAXIAL RG6 CCS 90% BRAIDING WHITE PVC
DFRG1190MB-001	CABLE COAXIAL RG-11 CCS 90% BRAIDING WITH MESSENGER BLACK PVC

b. LMR Series 50Ω Braiding Coaxial Cables



Dimensions

Type	LMR100A	LMR200	LMR400
Inner conductor	0.46mm	1.42 mm	2.74 mm
	CCS or BC	CCS or BC	CCS or BC
Dielectric	1.52 mm	3.81 mm	7.24 mm
	Foamed PE	Foamed PE	Foamed PE
Out conductor	2.11 mm	4.52 mm	8.13 mm
Shield	AL/P-Foil Bonded		
Braiding	Alumimum		
Jacket	2.79 mm	4.95 mm	10.29 mm
	PE/PVC		

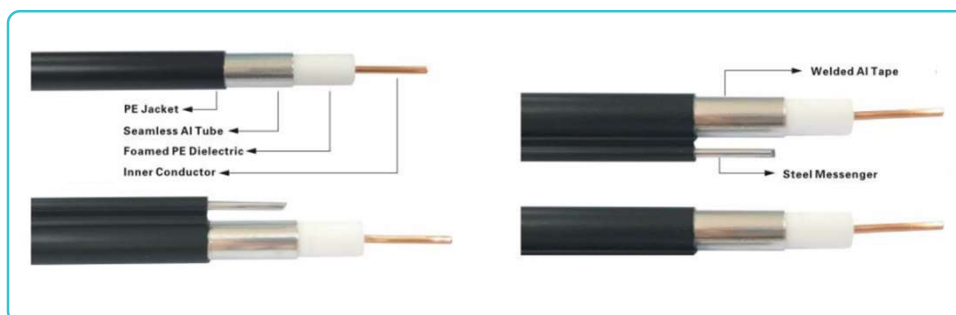
Electrical Characteristics

Type	LMR100A	LMR200	LMR400	
Impedance (Ω)	50±2	50±2	50±2	
SRL (≥dB)	15	15	15	
Capacitance (pF/m)	101.1	83.3	78.4	
Velocity of propagation	66	84	85	
Max Attenuation (dB/100m)	50MHz	16.7	7.5	2.0
	150MHz	29.4	13.1	5.0
	220MHz	35.8	15.9	6.1
	450MHz	51.9	22.8	8.9
	900MHz	74.9	32.6	12.8
	1500MHz	98.7	42.4	16.8
	1800MHz	109.0	46.6	18.6
	2000MHz	115.0	49.3	19.6
	2500MHz	130.8	55.4	22.2
	5800MHz	210.3	86.5	35.5

b. LMR Series 50Ω Braiding Coaxial Cables

PART NUMBER	DESCRIPTION
DFLMR20060B-001	CABLE COAXIAL LMR200 CCS 60% BRAIDING BLACK PVC
DFLMR40060B-001	CABLE COAXIAL LMR400 CCS 60% BRAIDING BLACK PVC

c. Al-tube Coaxial Distribution cables (50Ω)



Dimensions

Type	Seamless 500	QR540	QR625
Inner conductor	2.77mm	3.15 mm	3.45 mm
	CCA	CCA	CCA
Dielectric	11.43 mm	13.03 mm	14.3 mm
	Foamed PE	Foamed PE	Foamed PE
Out conductor	12.7 mm	13.72 mm	15.88 mm
	Aluminum tube (seamless)	Aluminum tube	Aluminum tube
Jacket	14.22 mm	15.49 mm	17.4 mm
		PE	

Electrical Characteristics

Type	Seamless 500	QR540	QR625	
Impedance (Ω)	75±3	75±3	75±3	
SRL (≥dB)	24	24	24	
Capacitance (pF/m)	50.2	50.2	50.2	
Velocity of propagation	87	87	87	
Max Attenuation (dB/100m)	5MHz	0.52	0.46	0.43
	55MHz	1.77	1.54	1.51
	211MHz	3.58	3.12	3.02
	250MHz	3.93	3.38	3.28
	350MHz	4.69	4.04	3.94
	450MHz	5.35	4.63	4.43
	550MHz	5.97	5.18	4.92
	750MHz	7.12	6.1	5.84
	865MHz	7.68	6.56	6.33
	1000MHz	8.27	7.12	6.79

c. Al-tube Coaxial Distribution cables (50Ω)

PART NUMBER	DESCRIPTION
DFQR540-01	CABLE COAXIAL QR540 CCA ALUMINUM TUBE BLACK PE
DFQR625-01	CABLE COAXIAL QR625 CCA ALUMINUM TUBE BLACK PE

11



POWER SUPPLY

WALL TYPE

12V/1A 12W Wall Mount Adaptor

Description

1. Rated Input Voltage/Frequency: 100~240V / 50~60Hz
2. Input Current: <0.5A
3. Rated Output Voltage/Current: 12V/1A
4. Inrush Current: <60A
5. Ripple & Noise: <120mV
6. Protection Function: OCP, OVP, SCP
7. Surge immunity Common mode: 6KV Max; Differential mode: 6KV Max
8. Rated Output Power: 12W max
9. Efficiency Level: VI
10. Input Plug: CN, US, EU
11. Whether with Y capacitor: Optional (With or Without)
12. Product Size: 68*28*42mm
13. Safety certification: CCC, UL, FCC, CE, CB, GS, KC, EAC, RCM, UKCA
14. Operating temperature range: 0°C to +45°C, 10%RH to 90%RH
15. Product Model: [DFP121000W-LU](#)
16. Application: Set top box, Network terminal, A&V player, Mobile storage device, POS, etc.

Product image



WALL TYPE

12V/1.25A 15W Wall Mount Adaptor

Description

1. Rated Input Voltage/Frequency: 100~240V / 50~60Hz
2. Input Current: <0.6A
3. Rated Output Voltage/Current: 12V/1.25A
4. Inrush Current: <60A
5. Ripple & Noise: <120mV
6. Protection Function: OCP, OVP, SCP
7. Surge immunity: Common mode: 6KV Max; Differential mode: 6KV Max
8. Rated Output Power: 15W max
9. Efficiency Level: VI
10. Input Plug: CN, US, EU
11. Whether with Y capacitor: Optional (With or Without)
12. Product Size: 73.5*33*50.4mm
13. Safety certification: CCC, CE, CB, UL, FCC, GS, KC, PSB, SAA, RCM, PSE
14. Operating temperature range: 0°C to +40°C, 10%RH to 90%RH
15. Product Model: [DFP121250W-LU](#)
16. Application: Set top box, Network terminal, A&V player, Mobile storage device, POS, etc.

Product image



WALL TYPE

12V/1.5A 18W Wall Mount Adaptor

Description

1. Rated Input Voltage/Frequency: 100~240V / 50~60Hz
2. Input Current: <0.6A
3. Rated Output Voltage/Current: 12V/1.5A
4. Inrush Current: <80A
5. Ripple & Noise: <120mV
6. Protection Function: OCP, OVP, SCP
7. Surge immunity: Common mode: 6KV Max.;Differential mode: 6KV Max
8. Rated Output Power: 18W max
9. Efficiency Level: VI
10. Input Plug: CN, US, EU
11. Whether with Y capacitor: Optional (With or Without)
12. Product Size: 73.5*33*50.4mm
13. Safety certification: CCC, CE, CB, UL, FCC, GS, KC, PSB, SAA, RCM, PSE
14. Operating temperature range: 0°C to +40°C, 10%RH to 90%RH
15. Product Model: [DFP121500W-LU](#)
16. Application: Set top box, Network terminal, A&V player, Mobile storage device, POS, etc.

Product image



WALL TYPE

5V/3A 18W Wall Mount Adaptor

Description

1. Rated Input Voltage/Frequency: 100~240V / 50~60Hz
2. Input Current: <0.6A
3. Rated Output Voltage/Current: 5V/3A
4. Inrush Current: <80A
5. Ripple & Noise: <120mV
6. Protection Function: OCP, OVP, SCP
7. Surge immunity: Common mode: 4KV Max; Differential mode: 4KV Max
8. Rated Output Power: 15W max
9. Efficiency Level: VI
10. Input Plug: CN, US, DE, GB, KR, AU, BR
11. Whether with Y capacitor: Optional (With or Without)
12. Product Size: 73.5*33*50.4mm
13. Safety certification: CCC, CE, CB, UL, FCC, GS, BSMI, SAA, RCM, PSE
14. Operating temperature range: 0°C to +45°C, 10%RH to 90%RH
15. Product Model: [DFP053000W-LU](#)
16. Application: Set top box, Network terminal, A&V player, Mobile storage device, POS, etc.

Product image



WALL TYPE

12V/2A 24W Wall Mount Adaptor

Description

1. Rated Input Voltage/Frequency: 100~240V / 50~60Hz
2. Input Current: <0.7A
3. Rated Output Voltage/Current: 12V/2A
4. Inrush Current: <80A
5. Ripple & Noise: <120mV
6. Protection Function: OCP, OVP, SCP
7. Surge immunity: Common mode: 6KV Max; Differential mode: 6KV Max / K.21
8. Rated Output Power: 24W max
9. Efficiency Level: VI
10. Input Plug: CN, US, DE, GB, KR, BR
11. Whether with Y capacitor: Optional (With or Without)
12. Other function: Brown in/Brown out function
12. Product Size: 73.5*33*50.4mm
13. Safety certification: CE, CB, UL, FCC, UKCA, SAA, RCM, EAC, KC
14. Operating temperature range: 0°C to +40°C, 10%RH to 90%RH
15. Product Model: [DFP122000W-LU](#)
16. Application: Set top box, Network terminal, A&V player, Mobile storage device, Security monitor, POS, etc.

Product image



WALL TYPE

12V/2.5A 30W Wall Mount Adaptor

Description

1. Rated Input Voltage/Frequency: 100~240V / 50~60Hz
2. Input Current: <1.0A
3. Rated Output Voltage/Current: 12V/2.5A
4. Inrush Current: <100A
5. Ripple & Noise: <120mV
6. Protection Function: OCP, OVP, SCP
7. Surge immunity: Common mode: 6KV Max; Differential mode: 6KV Max
8. Rated Output Power: 30W max
9. Efficiency Level: VI
10. Input Plug: CN, US, DE, GB, BR, AG, IN
11. Whether with Y capacitor: Optional (With or Without)
12. Product Size: 68.4*34*46mm
13. Safety certification: CE, CB
14. Operating temperature range: -5°C to +40°C, 10%RH to 90%RH
15. Product Model: [DFP122500W-LU](#)
16. Application: Set top box, Network terminal, A&V player, Mobile storage device, POS, etc.

Product image


Defang Technology



WALL TYPE

12V/3A 36W Wall Mount Adaptor

Description

1. Rated Input Voltage/Frequency: 100~240V / 50~60Hz
2. Input Current: <1.0A
3. Rated Output Voltage/Current: 12V/3.0A
4. Inrush Current: <100A
5. Ripple & Noise: <120mV
6. Protection Function: OCP, OVP, SCP
7. Surge immunity: Common mode: 6KV Max; Differential mode: 6KV Max
8. Rated Output Power: 36W max
9. Efficiency Level: VI
10. Input Plug: CN, US, DE, AU, GB
11. Whether with Y capacitor: Optional (With or Without)
12. Product Size: 91*33.5*50.5mm
13. Safety certification: SAA, RCM
14. Operating temperature range: 0°C to +40°C, 10%RH to 90%RH
15. Product Model: [DFP123000W-LU](#)
16. Application: Set top box, Network terminal, A&V player, Mobile storage device, POS, etc.

Product image



Desk Type

12V/2A 24W Desk-top Power Supply

Description

1. Rated Input Voltage/Frequency: 100~240V / 50~60Hz
2. Input Current: <0.7A
3. Rated Output Voltage/Current: 12V/2A
4. Inrush Current: <80A
5. Ripple & Noise: <120mV
6. Protection Function: OCP, OVP, SCP
7. Surge immunity: Common mode: 6KV Max; Differential mode: 6KV Max / K.21
8. Rated Output Power: 24W max
9. Efficiency Level: VI
10. Input Plug: CN, US, DE, GB, KR, BR
11. Whether with Y capacitor: Optional (With or Without)
12. Other function: Brown in/Brown out function
12. Product Size: 93.5*38.5*30.4mm
13. Safety certification: CE, CB, UL
14. Operating temperature range: 0°C to +40°C, 10%RH to 90%RH
15. Product Model: [DFP122000D-U](#)
16. Application: Set top box, Network terminal, A&V player, Mobile storage device, Security monitor, POS, etc.

Product image


Defang Technology



Desk Type

12V/2.5A 30W Desk-top Power Supply

Description

1. Rated Input Voltage/Frequency: 100~240V / 50~60Hz
2. Input Current: <1.0A
3. Rated Output Voltage/Current: 12V/2.5A
4. Inrush Current: <100A
5. Ripple & Noise: <120mV
6. Protection Function: OCP, OVP, SCP
7. Surge immunity: Common mode: 6KV Max; Differential mode: 6KV Max
8. Rated Output Power: 30W max
9. Efficiency Level: VI
10. Input Plug: CN, US, DE, GB, BR, AG, IN
11. Whether with Y capacitor: Optional (With or Without)
12. Product Size: 105*46*30mm
13. Safety certification: CE, CB, UL
14. Operating temperature range: -5°C to +40°C, 10%RH to 90%RH
15. Product Model: [DFP122500W-LU](#)
16. Application: Set top box, Network terminal, A&V player, Mobile storage device, POS, etc.

Product image



Desk Type

12V/3A 36W Desk-top Power Supply

Description

1. Rated Input Voltage/Frequency: 100~240V / 50~60Hz
2. Input Current: <1.0A
3. Rated Output Voltage/Current: 12V/3A
4. Inrush Current: <50A
5. Ripple & Noise: < 150mV
6. Protection Function: OCP, OVP, SCP
7. Surge immunity Common mode: 4KV Max; Differential mode: 2KV Max
8. Rated Output Power: 36W max
9. Efficiency Level: VI
10. Input Plug: IEC320-C6, IEC320-C8, IEC320-C14
11. Whether with Y capacitor: Optional (With or Without)
12. Product Size: 116.3*52.4*31.3mm
13. Safety certification: CCC
14. Operating temperature range: 0°C to +40°C, 10%RH to 90%RH
15. Product Model: [DFP123000D-U](#)
16. Application: Network terminal, Security monitor, etc.

Product image


Defang Technology



Contact Information



Sales@defangtech.com



Phone:



www.defangtech.com



Defang Technology